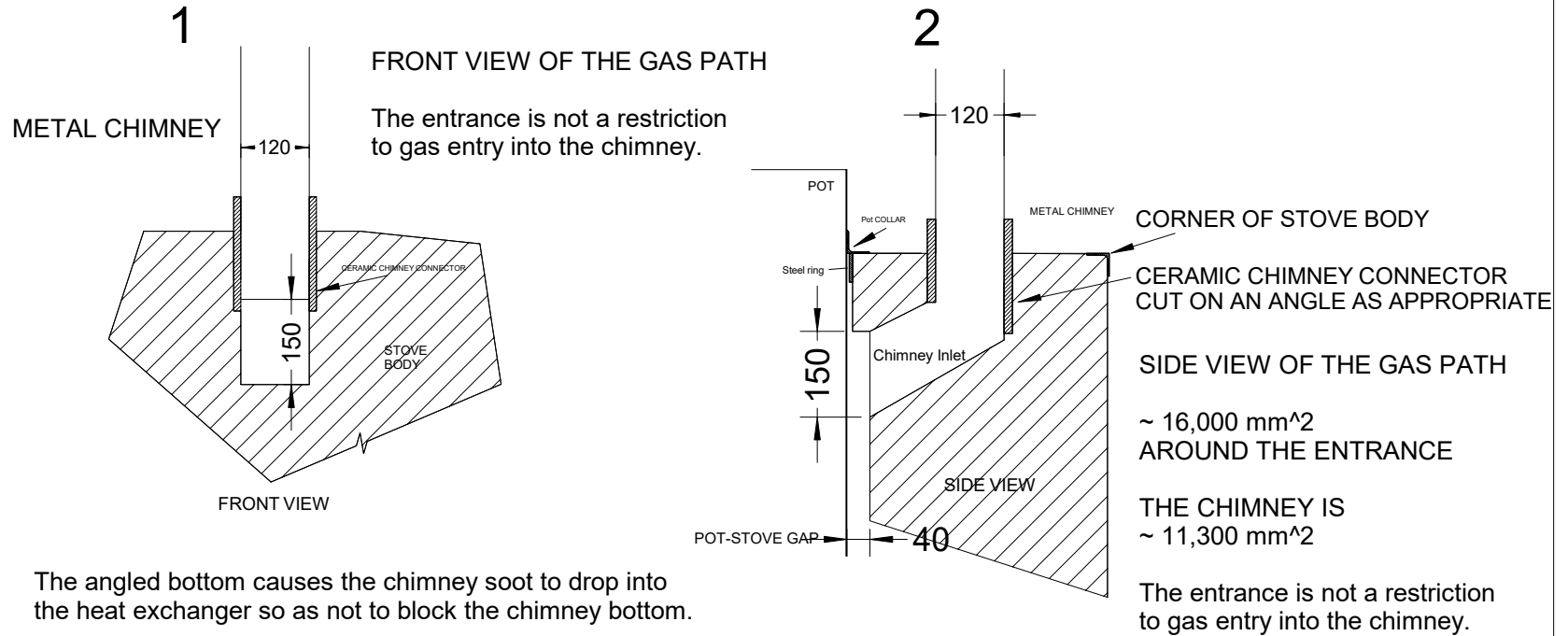


DETAILS OF THE CHIMNEY MOUNT



			2024 MEMD 100 LITRE STOVE
			Key Features: Bottom of the chimney access channel is sloped so as to drop soot. Chimney entrance area is larger than the chimney pipe
			Material: Brick and High temperature brick
			Quantity: Various
			Scale: Not to scale
Version: 1.4	Date: 2024-12-17	Initials: CPP	Drawn By: C Pemberton-Pigott
Drawing No. 05 MEMD 100 Litres Chimney Details			Part: Chimney Details